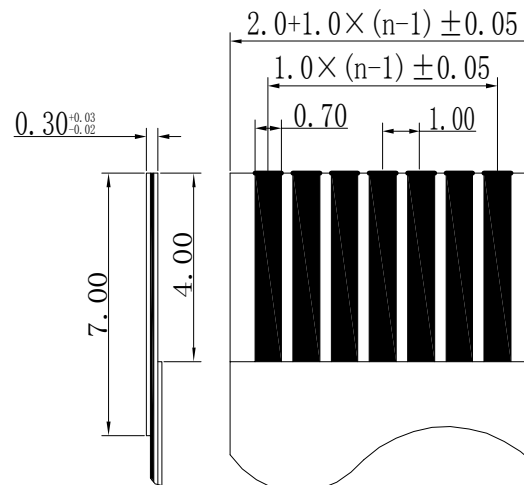
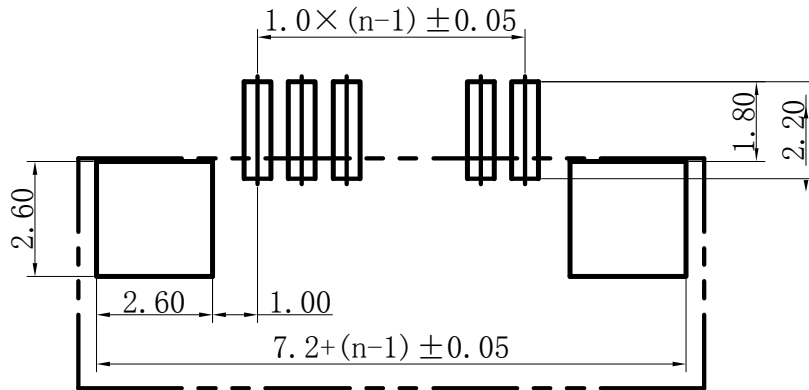


Specifications:  
 Housing: LCP UL94-V0 Color: Nature  
 Cove: LCP UL94-V0 Color: Black  
 Contact: Phosphor Bronze  
 Operating Voltage: 50V AC/DC  
 Current Rating: 0.5A AC/DC  
 Withstand Voltage: 250V AC/Minute  
 Contact Resistance:  $\leq 20m\Omega$   
 Insulation resistance:  $\geq 100M\Omega$   
 Operating Temperature:  $-25^{\circ}\text{C} \sim +85^{\circ}\text{C}$

NO. of Contacts (n)	Dimensions		
	A	B	C
004	5.1	3.0	11.0
005	6.1	4.0	12.0
006	7.1	5.0	13.0
007	8.1	6.0	14.0
008	9.1	7.0	15.0
009	10.1	8.0	16.0
010	11.1	9.0	17.0
011	12.1	10.0	18.0
012	13.1	11.0	19.0
013	14.1	12.0	20.0
014	15.1	13.0	21.0
015	16.1	14.0	22.0
016	17.1	15.0	23.0
017	18.1	16.0	24.0
018	19.1	17.0	25.0
019	20.1	18.0	26.0
020	21.1	19.0	27.0
021	22.1	20.0	28.0
022	23.1	21.0	29.0
023	24.1	22.0	30.0
024	25.1	23.0	31.0
025	26.1	24.0	32.0
026	27.1	25.0	33.0
027	28.1	26.0	34.0
028	29.1	27.0	35.0
029	30.1	28.0	36.0
030	31.1	29.0	37.0
031	32.1	30.0	38.0
032	33.1	31.0	39.0



PC BOARD LAYOUT

一般公差 TOLERANCES X. ±0.40 .XX ±0.20 .X ±0.30 .XXX ±0.10 ANGLES ±2°		<b>深圳市宏利电子有限公司</b> <b>Shenzhen Holy Electronic Co.,Ltd</b>	
检验尺寸标示 SYMBOLS $\odot$ $\ominus$ INDICATE CLASSIFICATION DIMENSION	工程图号 FPC1025SB-nP	制图 (DR) '08/5/16 审核 (CHKD)	
$\odot$ MARK IS CRITICAL DIM. $\ominus$ MARK IS MAJOR DIM.	品名 FPC1.0mm -nP H2.5 上接半包	核准 (APPD) Rigo Lu	
表面处理 (FINISH)	比例 (SCALE) 1:1	单位 (UNITS) mm	张数 (SHEET) 1 OF 1 尺寸 (SIZE) A4 页码 (REV) 0

修订 REV	修改摘要 REVISION DESCRIPTION	日期 DATE	签名 SIGNATURE